

Drawing



HENDI

Tools for Chefs

Hendi B.V.

Steenoven 21
3911 TX Rhenen
The Netherlands

Batch #

000000 and up

Appliance part#

211106

Description

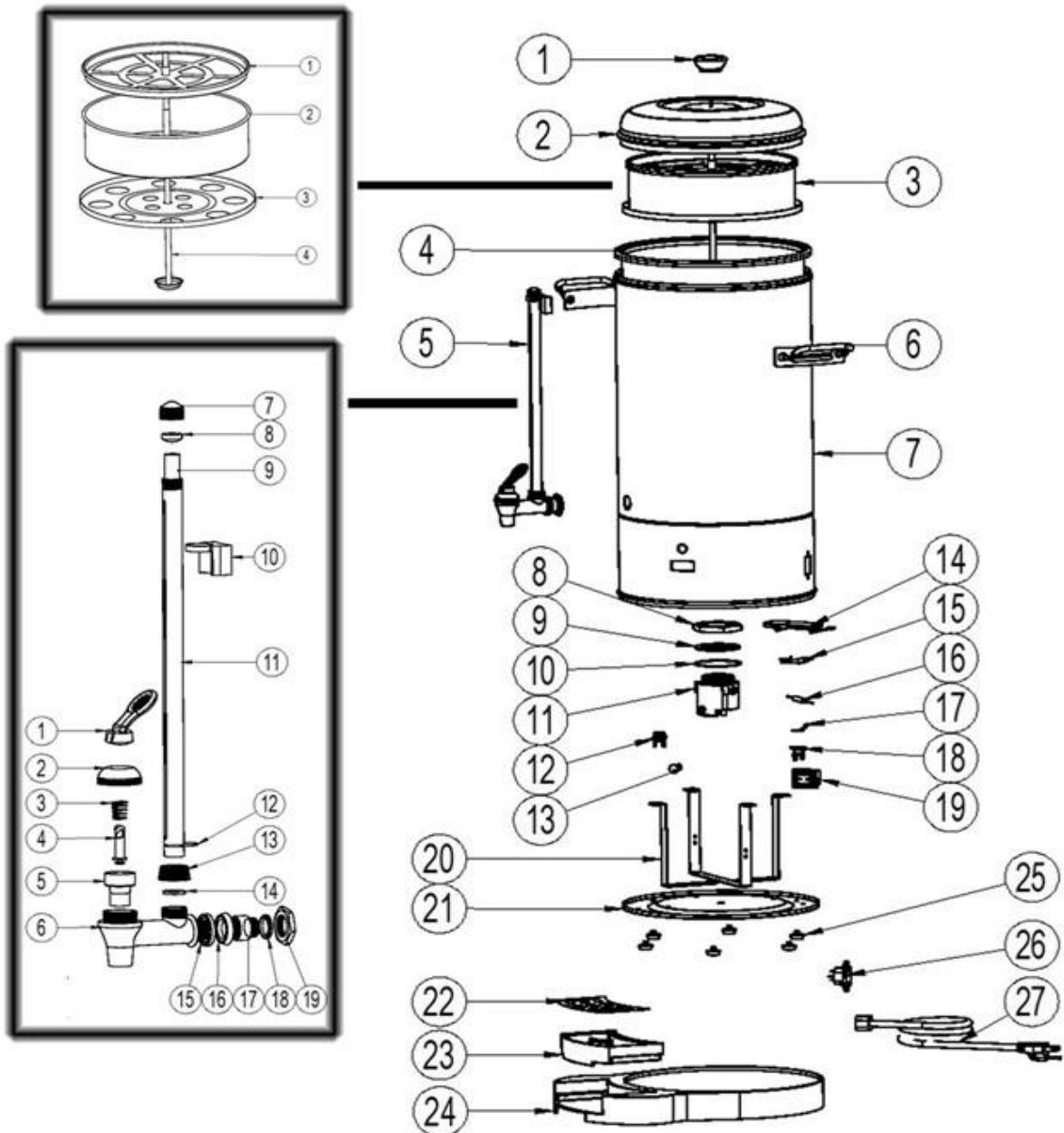
Percolator double walled 6L

Date 12-01-2023


Revision #

1,0

Revision First Bill of Materials (BOM)



Bill of materials (BOM)

 <p>Hendi B.V. Steenoven 21 3911 TX Rhenen The Netherlands</p>	Batch #	Appliance part#
	000000 and up	211106
	Description	
Percolator double walled 6L		


Date	12-01-2023	Revision #	1,0
Revision	First Bill of Materials (BOM)		

Item	Description	Part#	Quantity	Remark	Picture
1	Knob for lid	nss	1	Available as 928417	
2	Lid	928417	1	Incl item1	
3	Filter complete	900284	1		
3-1	Filter cover	nss	1	Available as 900284	
3-2	Filter basket	nss	1	Available as 900284	
3-3	Basket holder	n/a	1	Not available in 211106	
3-4	Pumpbar	900031	1	Not included in set 900284	
4	Inner Container	n/a	1		
5	Sleeve graduation with faucet complete	927397	1		
5-1	Handle faucet	nss	1	Available as 927397	
5-2	Nut faucet	nss	1	Available as 927397	
5-3	Spring	nss	1	Available as 927397	
5-4	Lever	nss	1	Available as 927397	
5-5	Sealingfaucet	nss	1	Available as 927397	
5-6	Faucet	nss	1	Available as 927397	
5-7	Cap	nss	1	Available as 927397	
5-8	Gasket glass graduation	208496	1	Also available in 927397	
5-9	Glass graduation	nss	1	Available as 927397	
5-10	Holder	nss	1	Available as 927397	
5-11	Sleeve graduation	nss	1	Available as 927397	
5-12	Clip	nss	1	Available as 927397	
5-13	Nut sleeve graduation	nss	1	Available as 927397	
5-14	Gasket glass graduation	208496	1	Also available in 927397	
5-15	Ring faucet	nss	1	Available as 927397	
5-16	Gasket faucet	nss	1	Available as 927397	
5-17	Spacer (incl. item 5-18)	927366	1	Also available in 927397	
5-18	Gasket spacer	nss	1	Available in 927397 and 927366	
5-19	Nut faucet	nss	1	Available as 927397	
6	Handle	n/a	2		
7	Container	n/a	1		
8	Nut element	nss	1	Available as 900116	
9	Gasket element	nss	1	Available as 900116	
10	Washer element	nss	1	Available as 900116	
11	Element 1500W	900116	1	Incl item 8,9,10.	
12	Clixon (88°C)	900147	1		
13	Indication light	902059	1		
14	Element 80W	901458	2		
15	Holder element	n/a	2		
16	Thermal fuse	900345	1		
17	Holder thermal fuse	n/a	1		
18	Clixon (200°C)	900277	1		
19	Switch	205426	1		
20	Bracket bottom cover	n/a	1		
21	Bottom cover	n/a	1		
22	Grid driptray	nss	1	Available as 927427	
23	Driptray (complete)	927427	1	Incl item 22 and 24	
24	Holder driptray	nss	1	Available as 924427	
25	Foot	900574	6	Sold per pcs	
26	Power socket	927441	1		
27	Power cord	900680	1		

n/a -> not available

nss -> not sold separately

Circuit diagram

 <b style="font-size: 24px; margin-left: 10px;">HENDI Tools for Chefs Hendi B.V. Steenoven 21 3911 TX Rhenen The Netherlands	Batch #	Appliance part#
	000000 and up	211106
	Description	
	Percolator double walled 6L	

Date	12-01-2023	Revision #	1,0
Revision	First Bill of Materials (BOM)		

